

EYEBALL INDICATOR

PART NO: 99/18

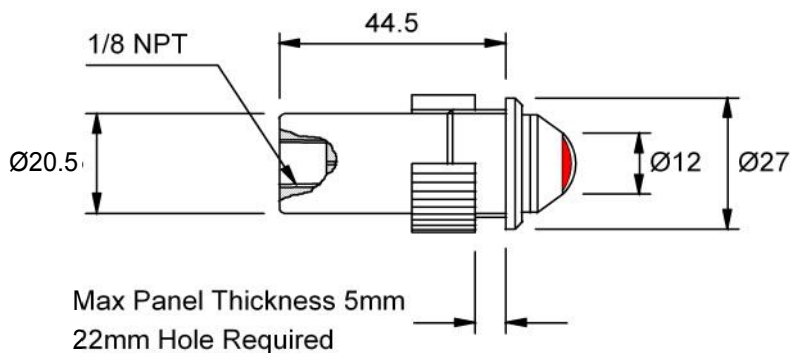


EYEBALL COLOUR OPTIONS

MODEL	OFF	ON
99/18A	BLACK	RED
99/18B	BLACK	GREEN
99/18C	BLACK	AMBER
99/18F	RED	BLACK
99/18G	RED	GREEN
99/18 I	GREEN	RED

The Stainless Steel 'eyeball' indicator is designed for harsh environments. Commonly used on offshore applications.

SPECIFICATION



OPERATING PRESSURE

1 – 10 Bar

MATERIALS

Body – Stainless Steel
Lock-Nut & Eyeball – Acetal
Lense – Acrylic
Seal – Nitrile

APC - Automated Process & Control Mfg. Co. Ltd
Unit 11 St Georges Industrial Estate
Richmond Road, Kingston Upon Thames
Surrey, KT2 5BQ

Tel: +44 (0)20 8549 3331
Fax: +44 (0)20 8547 1309

www.apcair.co.uk
Email: info@apcair.co.uk

STAINLESS STEEL EYEBALL INDICATOR MODEL 99/18