



# HAND OPERATED 3/2 PTO VALVE PART NO: O0020



Simple and reliable manual operation of the PTO. Designed for effortless connection using our proven push on control knob which saves time dealing with tricky assembly in awkward spaces. The knob shows red when operated and the system is pressurised. An extended mounting thread allows for padded dashes and a 4mm port is supplied to pipe away exhaust air to a suitable location.

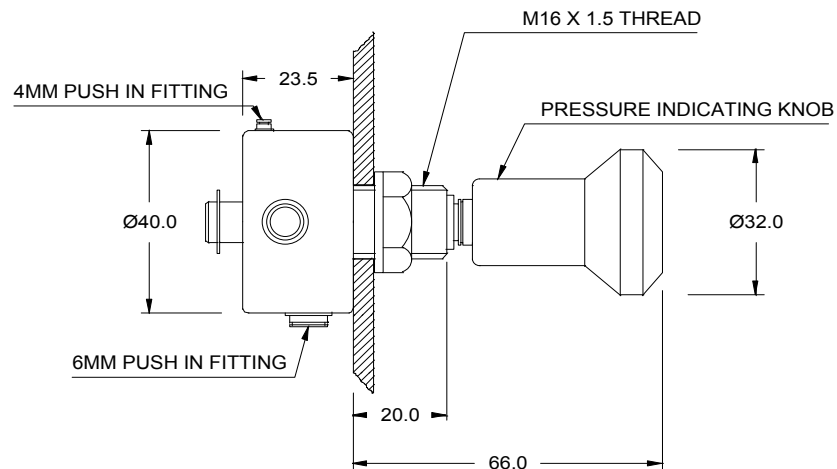
## OPERATING PRESSURE

1–12 Bar

## MATERIALS

Acetal - Body  
Brass - Spool  
Nitrile - Seal  
Acrylic - Knob

## SPECIFICATION



**Automated Process & Control Mfg. Co. Ltd**  
Unit 5 The Ashway Centre  
Elm Crescent  
Kingston Upon Thames, Surrey KT2 6HH  
England

**Tel: +44 (0)20 8549 3331**  
**Fax: +44 (0)20 8547 1309**  
[www.apcair.co.uk](http://www.apcair.co.uk)  
**Email: info@apcair.co.uk**

**HAND OPERATED 3/2 PTO VALVE PART NO: O0020**