



AIR INTERLOCKED PTO VALVE

PART NO: O0100/A



5/2 manually operated valve with 4mm push in ports and air override to reset . This valve can be used as a stand alone valve for operating a PTO or in conjunction with a separate solenoid valve to inhibit operation. This valve utilises our original eyeball indicator inside the knob which changes colour to red when valve and PTO are actuated.

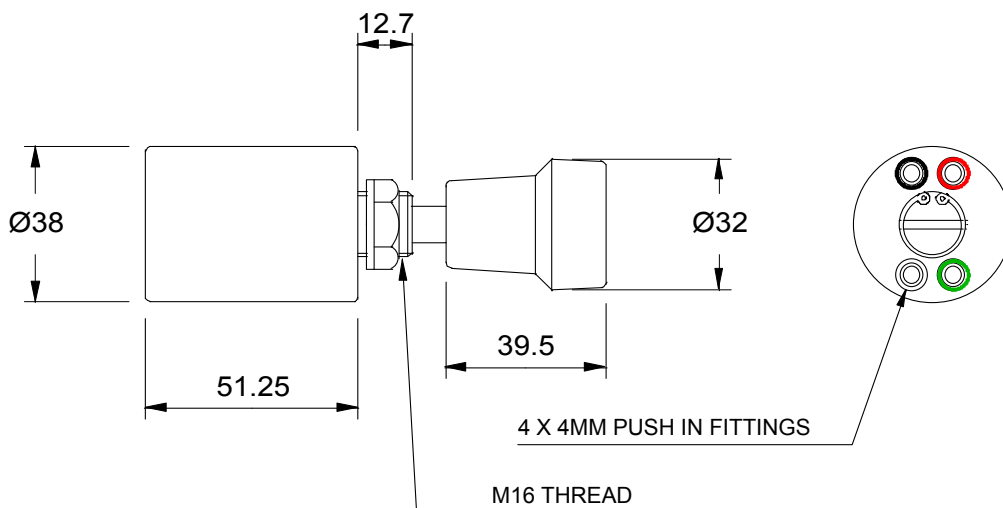
SPECIFICATION

OPERATING PRESSURE

1–12 Bar

MATERIALS

Nitrile - Seal
Brass - Spool
Acetal - Body & Knob



Automated Process & Control Mfg. Co. Ltd
Unit 11 St Georges Industrial Estate
Richmond Road
Kingston Upon Thames, Surrey KT2 5BQ
England

Tel: +44 (0)20 8549 3331
Fax: +44 (0)20 547 1309
www.apcair.co.uk
Email: info@apcair.co.uk

AIR INTERLOCKED PTO VALVE PART NO: O0100/A