

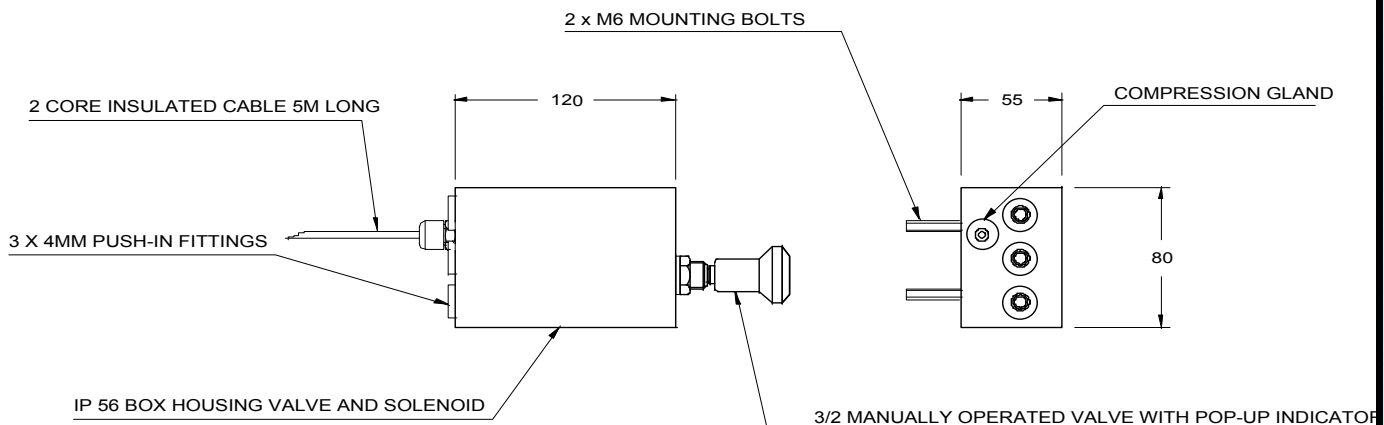


# WEATHERPROOF PTO CONTROL VALVE PART NUMBER: WPTO04



Designed to be operated from an external position on a vehicle, this PTO Control Valve has been encased to protect it from harsh weather conditions. It comes complete with 5 metres of PVC cased cable to connect to the handbrake interlock.

## SPECIFICATION



Operating Pressure: 1 - 12 Bar

**Automated Process & Control Mfg. Co. Ltd**  
Unit 5 The Ashway Centre  
Elm Crescent  
Kingston Upon Thames, Surrey KT2 6HH  
England

Tel: +44 (0)20 8549 3331  
Fax: +44 (0)20 8547 1309  
[www.apcair.co.uk](http://www.apcair.co.uk)  
Email: [info@apcair.co.uk](mailto:info@apcair.co.uk)

WEATHERPROOF PTO CONTROL VALVE PART NO: WPTO04